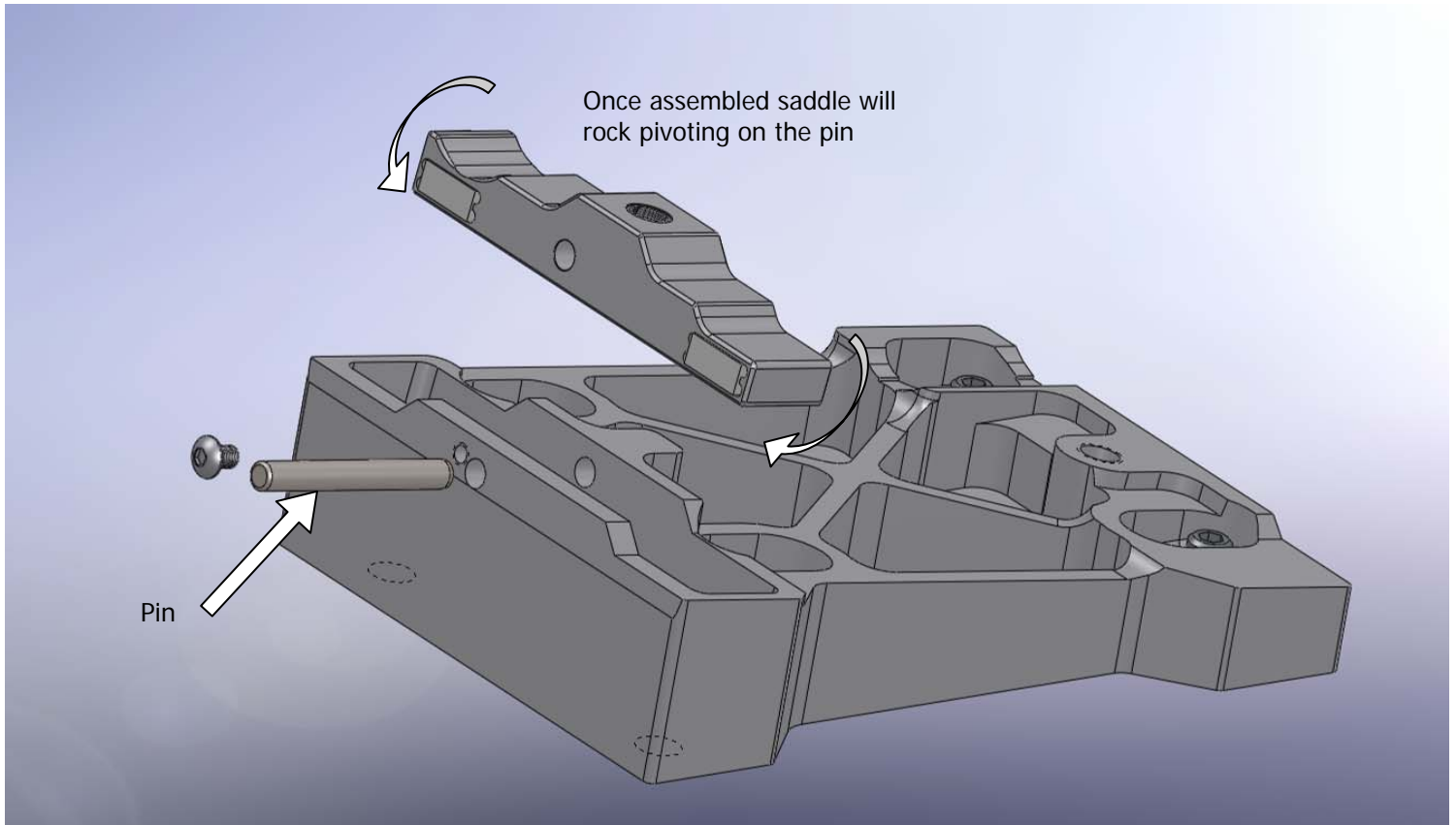


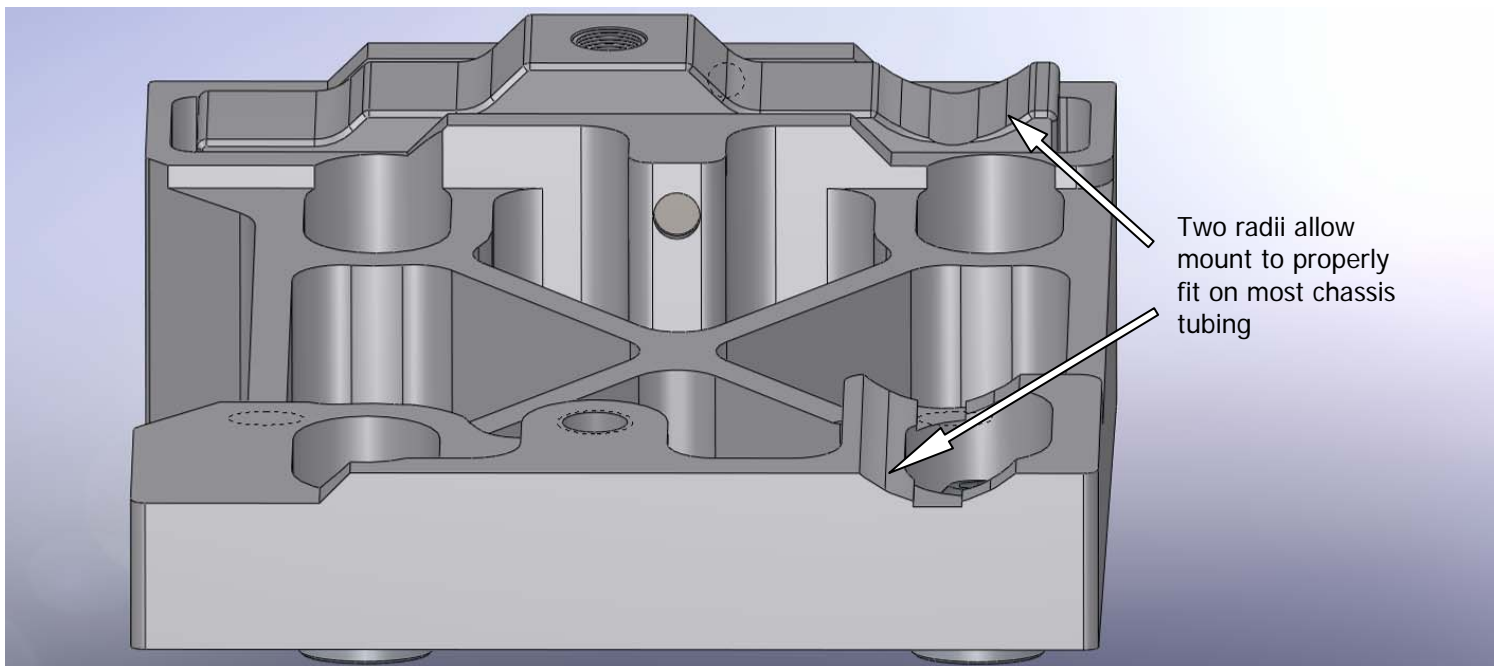
ILMOR C-FLEX MOUNTS

Saddle Bracket



ILMOR C-FLEX MOUNTS

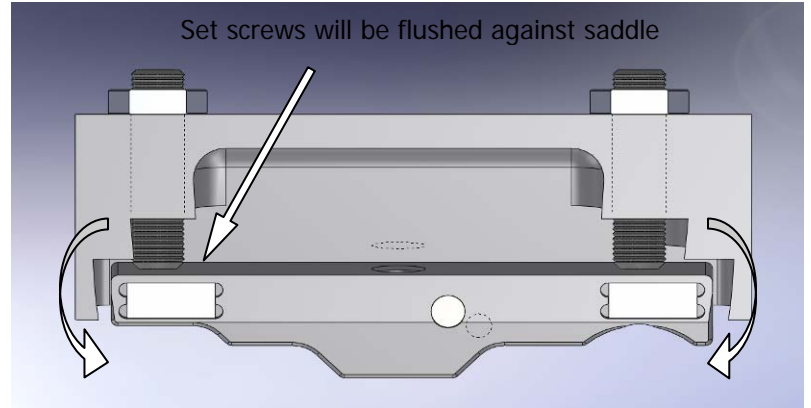
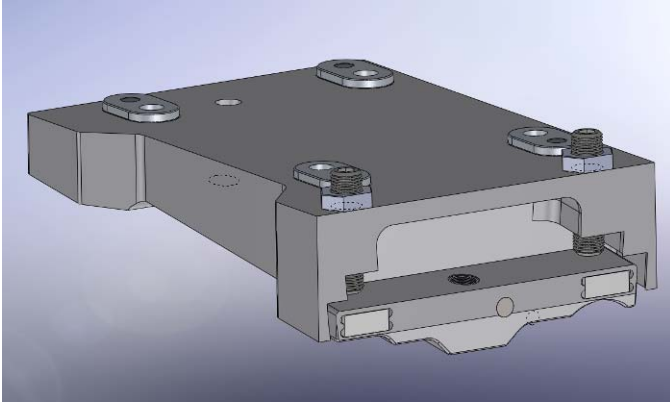
Saddle Bracket



ILMOR C-FLEX MOUNTS

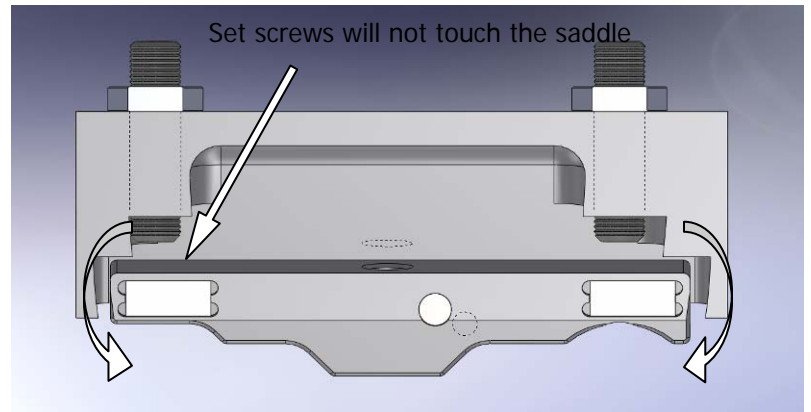
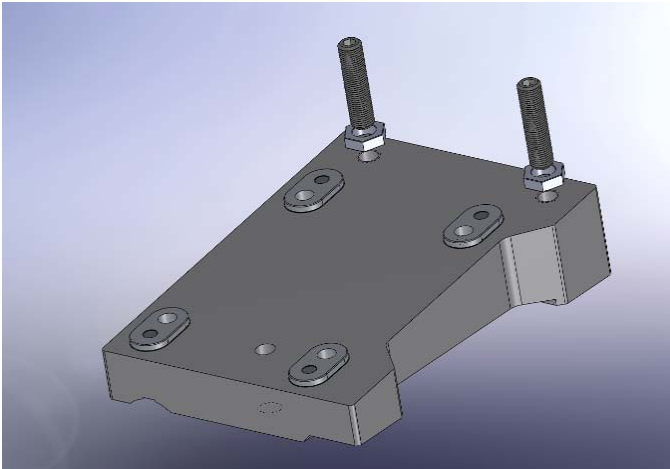
Saddle Movement Adjusting Set Screws

FULL LOCK SETTING

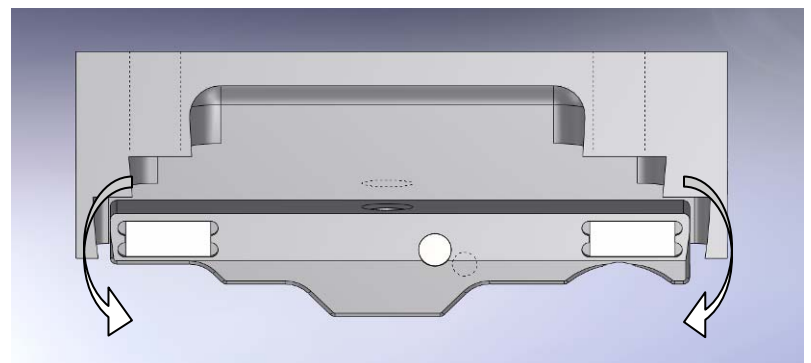
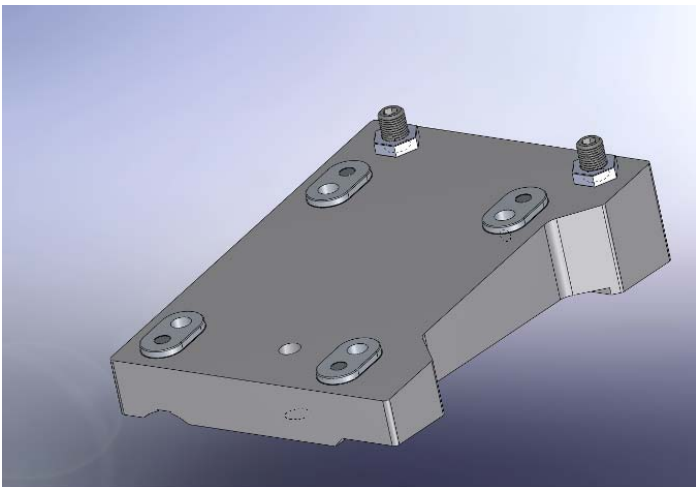


Set screws can be located to completely stop the saddle from rocking

FREE MOVEMENT SETTINGS

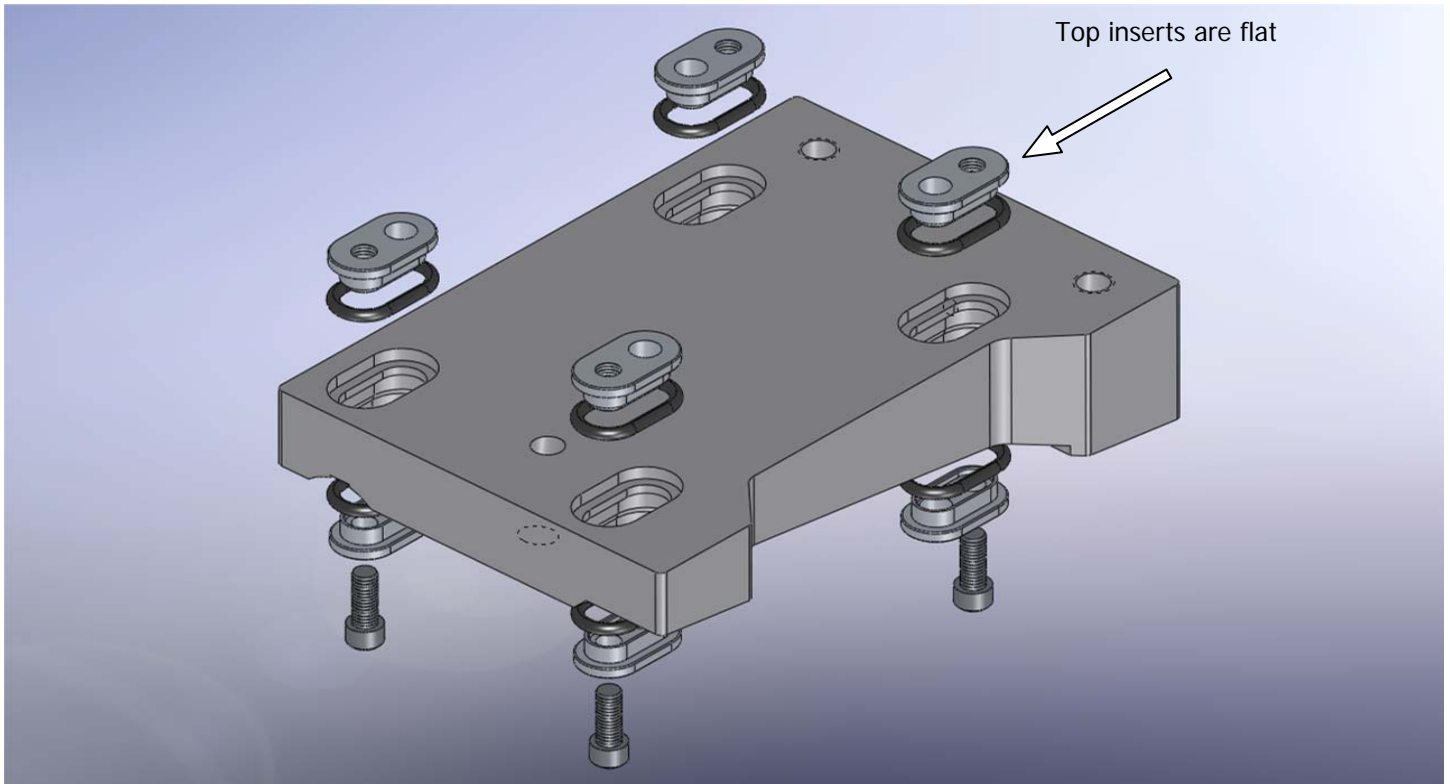
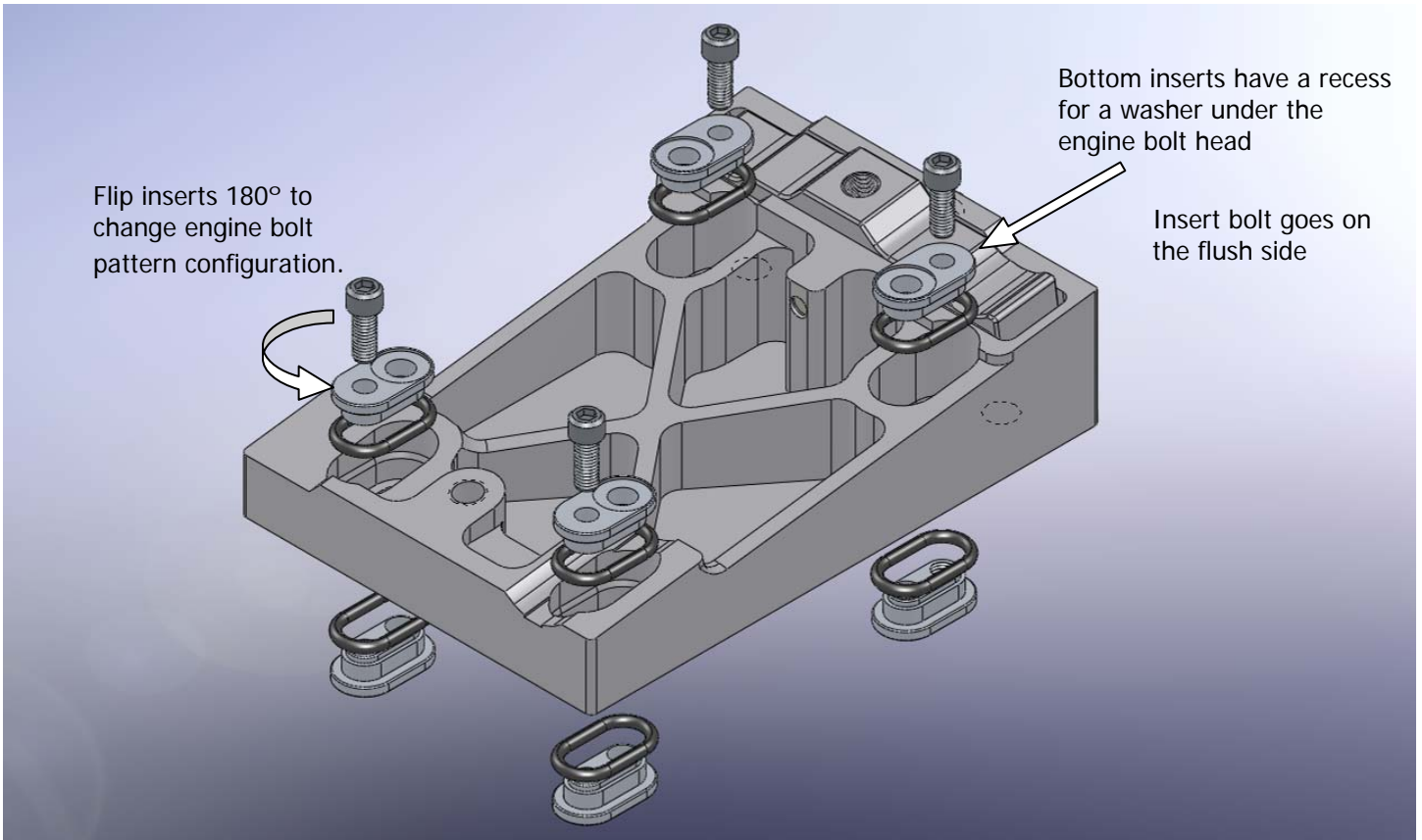


Set screws can be located to allow full saddle movement



It is also possible to run the mount without the set screws and allow saddle to move freely

VRT-10 Mount Anti Vibration Inserts



KT-5 Mount

